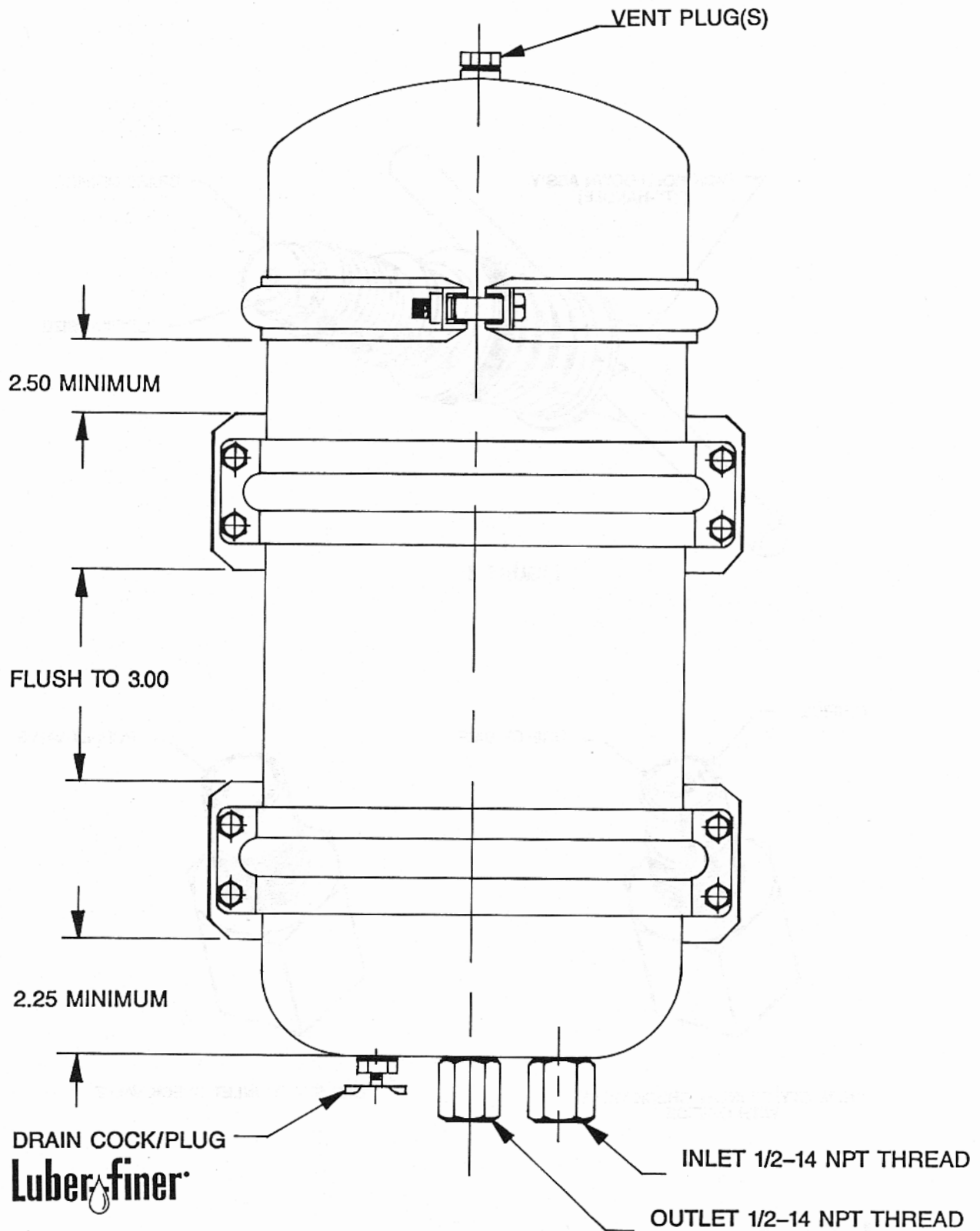


MODEL 750-CT

RECOMMENDED MOUNTING BRACKET POSITION



NOTES:

1. A 12.00 CLEARANCE IS REQUIRED TO REMOVE PACK FROM UNIT.
2. UNDER CERTAIN CONDITIONS THIS UNIT MAY CONTAIN INTERNAL PRESSURE. VENT UNIT CAREFULLY PRIOR TO SERVICE.
3. ALL DIMENSIONS ARE IN INCHES.