

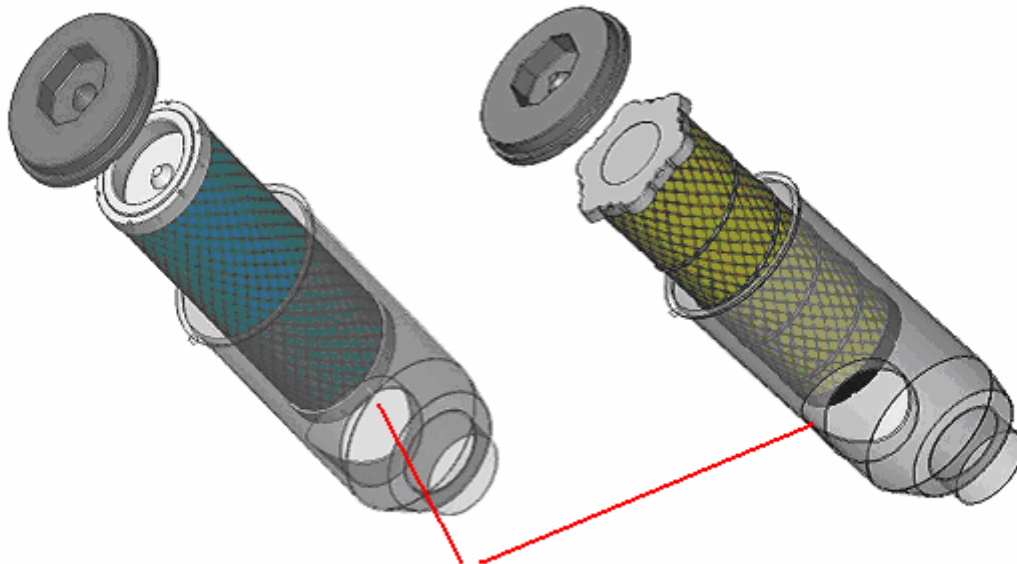
PRODUCT BULLETIN

Subject: LAF5114MXM Design
Date: 02/26/07
Bulletin Number: 07-0626 Luberfiner Prod Bul LAF5114MXM

To avoid patent infringement issues, the LAF5114MXM was designed shorter in length than the OE Mack air filter (part #57MD320M). Although the LAF5114MXM is shorter than the OE filter, the diagrams below and on the following page illustrate how this difference in height does not affect the function of the filter.

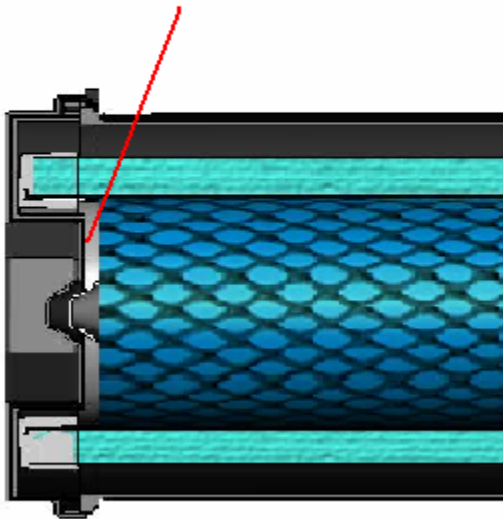
OE Filter in Air Cleaner Housing

LAF5114MXM in Air Cleaner Housing



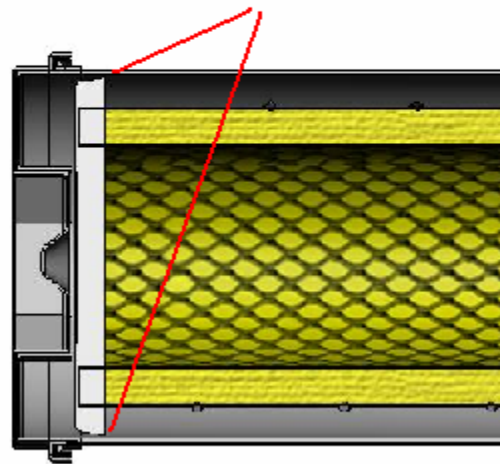
Both the OE filter and LAF5114MXM form an air tight seal with the bottom of the air cleaner housing with the open end of the filter only - no seal is formed with the closed end of the filter.

Air cleaner cap fits inside the top of the OE filter to hold the filter horizontal inside the air cleaner housing. It **DOES NOT** form an air tight seal on this end of the filter.



**Cross-section of OE filter
in air cleaner housing**

Air cleaner cap does not fit inside the top of LAF5114MXM because it is shorter, but the filter is held horizontal inside the housing by the lobes around the outside of the closed end of the filter. Like the OE filter, it **DOES NOT** form an air tight seal on this end.



**Cross-section of LAF5114MXM
in air cleaner housing**

In summary, the height difference between the OE filter and LAF5114MXM does not affect the primary function of LAF5114MXM as it forms an air tight seal in the exact same manner and location as the OE filter. In addition, although it does not interlock with cap of the air cleaner housing as the OE filter, it is still held in a horizontal position by the lobes around the closed end of the filter maintaining the integrity of the radial seal.